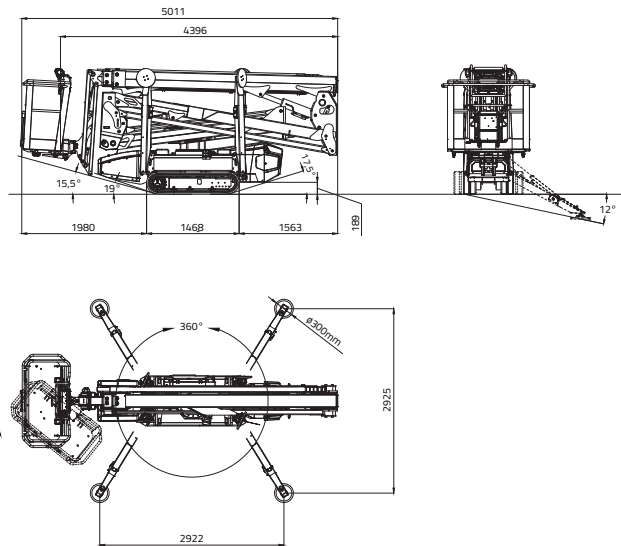


## PREVIEW

**Capacity 230 kg**  
(2 persons 80x2=160 kg  
+ toolbox 70 kg)



20,15 m



9,70 m



5,01 m



4,40 m



1,99 m



795-1095 mm



1335x690xh.1100 mm



2922x2925 mm



2900 kg / 6393 (Honda)  
2970 kg / 6548 (Diesel)  
3000 kg / 6614 (Lithium)  
3100 kg / 6834 (Bi-energy)



Kubota Z602 - 14,5 HP @3200 rpm  
Honda iGX390 - 11,7HP @3600 rpm



Lithium-ion battery pack 7,7kW/h



Bi-energy (Diesel + Lithium-ion  
battery pack)



16°



0,4 • 1,0 • 1,95 Km/h (Honda)  
0,5 • 1,3 • 2,5 Km/h (Diesel)  
0,83 • 1,6 Km/h (Lithium)



Automatic set up system IIIS std



Remote control



GPRS-GPS



R.A.H.M.